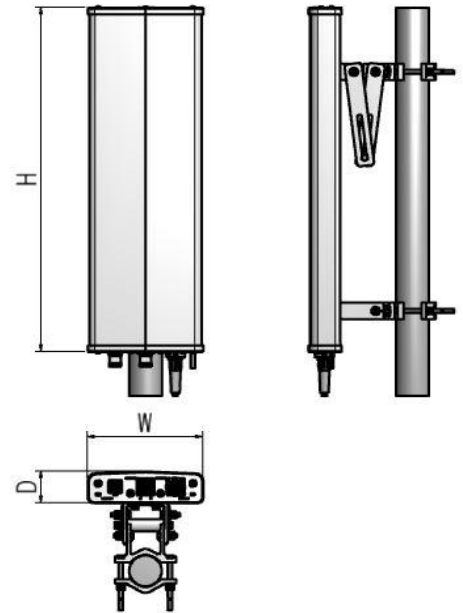
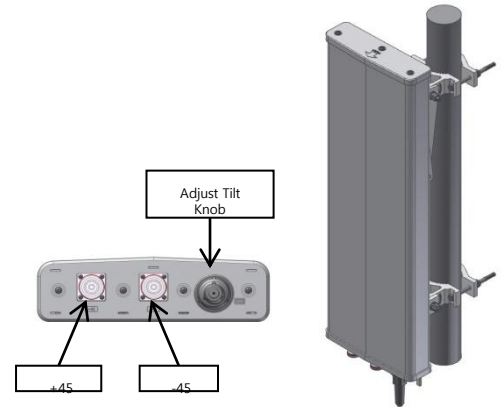


Single Band Dual Polarization Horizontal 65° 12.5dBi

Adjust. Electrical Downtilt

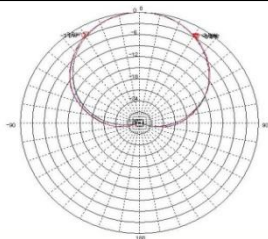
ESBDP-12.5dBi (LTE8-ESBDP-12.5dBi)

i. Electrical Specification		
Frequency Range		839 ~ 894 MHz
Band Width		55 MHz
Gain		≥ 12.5 dBi (0°) ≥ 12.0 dBi (7°) ≥ 11.5 dBi (14°)
Polarization		± 45°
Beam width	Horizontal	65° ± 5°
	Vertical	23° ± 3°
F-B ratio	Horizontal (@180 ± 30°)	≥ 25 dB (0°), 23 dB (7°), 21 dB (14°)
	Vertical (@180 ± 30°)	≥ 25 dB (0°), 23 dB (7°), 21 dB (14°)
VSWR		≤ 1.5 : 1
Impedance		50 Ω
Electrical tilt		0° ~ 14°
1st Upper Side lobe level		≥ 15 dB (0°), 14 dB (7°), 13 dB (14°)
Cross Polar Ratio	0°	≥ 18 dB
	± 60°	≥ 10 dB (0°), 9 dB (7°), 8 dB (14°)
Tracking (± 60°)		≤ 2dB (0°, 7°), 2.5dB (14°)
Squint		≤ ± 3.5° (0°, 7°, 14°)
IMD(2x20W)		≤ -150 dBc
Port to Port Isolation		≥ 30 dB
Maximum input power		200 W

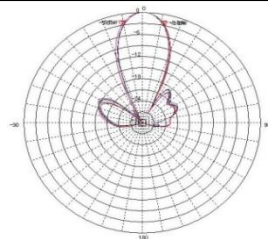


ii. Mechanical Specification		
Radom Dimension (W x D x H)		261 x 70 x 839 mm
Weight (Exclude bracket)		≤ 4.5 kg
Connector Type		7/16"DIN-Female x 2
Withstand Wind Pressure		60 m/sec
Radom Material (color)		ASA (Cool Gray 4C)
Mechanical Down Tilt (Option)		0° ~ 30°
Temperature		-40 °C ~ 70 °C
Packing Size (H x W x D)		-
Packing Weight		-

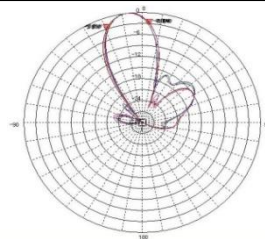
iii. Radiation Pattern



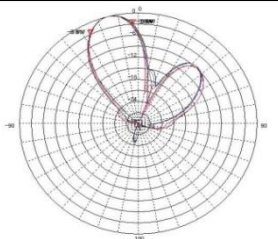
Horizontal Pattern



0°Tilt



7°Tilt
Vertical Pattern



14°Tilt